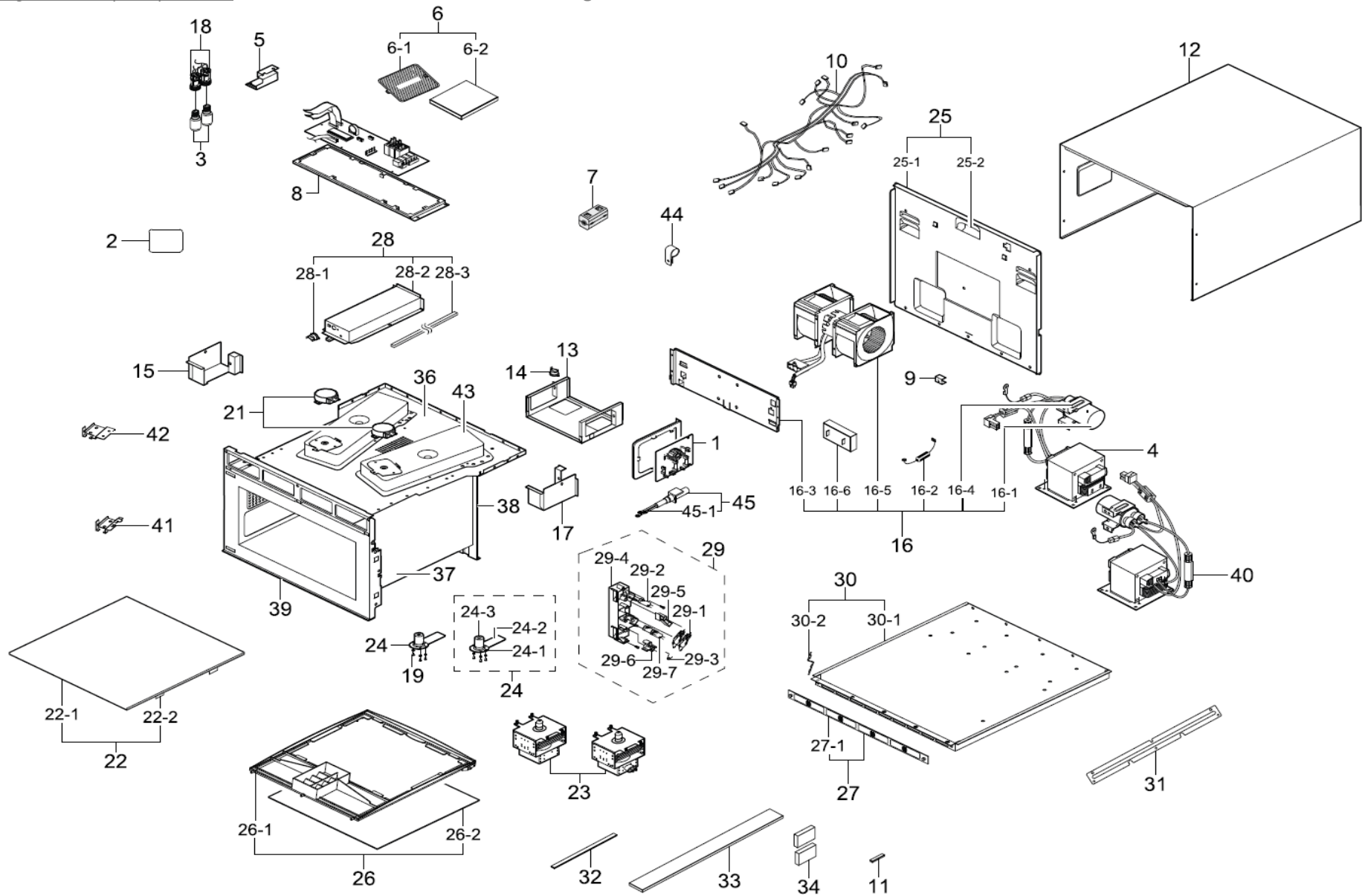


Exploded diagram and spare parts list - GK640 - Buffalo CMWO 1850watt Programmable

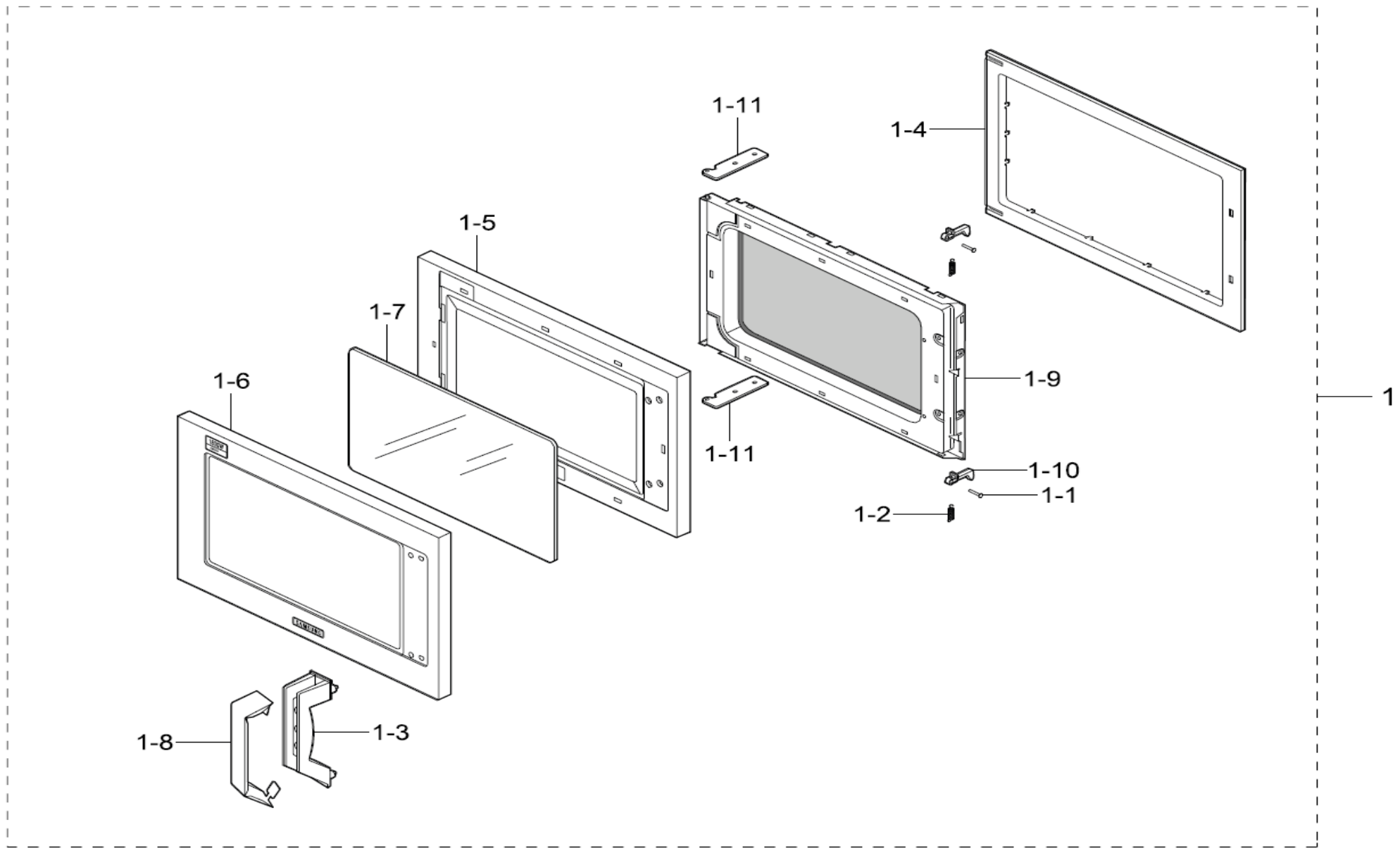


Exploded diagram and spare parts list - GK640 - Buffalo CMWO 1850watt Programmable

| Explode | Code | Stocked | Description |
|---------|---------------|---------|--|
| 1 | DE96-00734A | ✓ | ASSY NOISE FILTER;SN-CM1929,250V/15A,250 |
| 2 | DE01-00095A | ✓ | FILM-LAMP; PET,PET,84,T0.15,114,CM-1819, |
| 3 | 4713-000168 | ✓ | LAMP-INCANDESCENT;230V,25W,NTR,22X70mm |
| 4 | DE26-00058B | ✓ | TRANS H.V; SHV-906EG2,2400V/3.40V,50Hz, |
| 5 | DE61-90318A | ☎ | HOLDER LAMP; W134,EGI-SECC,T0.8,-,L40.5 |
| 6 | DE92-90533A | ☎ | ASSY-LAMP HOLDER; CM1819/CM1829,-,- |
| 6-1 | DE71-60422A | ☎ | COVER-LAMP;STAINLESS-ST5430,T0.6,-,CMSNA |
| 6-2 | DE63-90190B | ☎ | CUSHION-LAMP; CM1819/29,PUR FOAM,T7.0,W10 |
| 7 | DE73-90027A | ☎ | CORE-FERRITE; T13.8,NI-ZN,BNF-14(K150), |
| 8 | DE61-50520A | ☎ | BRACKET-PCB; EGI-SECC,T0.8,CM-1819 |
| 9 | DE61-50541A | ☎ | BRACKET-EARTH; EGI-SECC,T1.0,W15,L8 |
| 10 | DE96-00503A | ✓ | ASSY WIRE HARNESS-A; Heavy CCommercial,230 |
| 11 | DE63-90064B | ☎ | CUSHION; PU FOAM,T5X10X50 |
| 12 | DE70-30123A | ☎ | PANEL-OUTER;STAINLESS-ST5430,T0.6,CM-181 |
| 13 | DE72-50088A | ☎ | DUCT FAN; CM-1819,ALCOT,T0.5 |
| 14 | DE47-20017A | ☎ | THERMOSTAT; 125/250V,15/7.5A,150,60,NORMA |
| 15 | DE72-50090A | ☎ | DUCT-MGT/L; CM-1819,EGI-SECC,T0.5 |
| 16 | DE91-50093T | ✓ | ASSY MOTOR FAN;CM1919/1929,-,240V,-,COMM |
| 16-1 | 2501-001284 | ✓ | C-OIL HIGH VOLTAGE; 1100nF,2100V,BK,34x54 |
| 16-2 | DE59-00002A | ✓ | DIODE-H.V;MWO,2CL4512H/CL04-12A,500mA,12 |
| 16-3 | DE61-30189A | ☎ | SUPPORT-FAN-MOUNT;EGI-SECC,T1.0,CM-1819, |
| 16-4 | DE61-00421A | ☎ | BRACKET-HVC; CM1829,EGI-SECC,T0.8 |
| 16-5 | DE31-10180A | ✓ | MOTOR AC VENTILATION;SMV-1829EA,2,240V,5 |
| 16-6 | 2301-001375 | ☎ | C-FILM,LEAD; 1.5,-25to+85,450V,+10~-5,37x |
| 17 | DE72-50089A | ☎ | DUCT-MGT/R; CM-1819,EGI-SECC,T0.5 |
| 18 | DE47-40029A | ☎ | LAMP SOCKET; 250V,2A,PBT,E14,1,Snap in fi |
| 19 | DE69-90054A | ✓ | CLIP-STIRRER; 5mm,TEFLON-PFA,CM1819/29 |
| 21 | DE31-10164B | ☎ | MOTOR AC DRIVE;M2CK34A709-H(B),8,120V,60 |
| 22 | DE97-00319B | ✓ | ASSY-TRAY CERAMIC;CM1929A/XEU,MWO-COMMER |
| 22-1 | DE74-20116A | ☎ | TRAY-CERAMIC; -,CERAMIC,T3.0,CM-1819,-,-, |
| 22-2 | DE61-00170A | ☎ | FOOT-TRAY; CM1049,URETHAN,WHT |
| 23 | OM75P-20-ESGN | ✓ | MGT; MGT |
| 24 | DE92-90515A | ✓ | ASSY STIRRER; CM-1819/CM-1829,- |
| 24-1 | DE61-90319A | ☎ | HOLDER-STIRR TEFLON; TEFLON,20G |
| 24-2 | DE61-90319A | ☎ | HOLDER-STIRR TEFLON; TEFLON,20G |
| 24-3 | DE72-80068A | ☎ | SHAFT-STIRRER; ALUMINA,L45,18,CM-1819 |
| 25 | DE92-90514A | ☎ | ASSY-BACK COVER; CM-1819,-,CM-1829, |
| 25-1 | DE71-60421A | ☎ | COVER-BACK;EGI-SECC,T0.6,W481.8,L363.9,C |
| 25-2 | DE72-50087A | ☎ | DUCT-EXHAUST; ALCOT,T0.6 |
| 26 | DE97-00562A | ✓ | ASSY COVER PANEL; CM1019,PP+SGL,-,- |
| 26-1 | DE63-00315A | ☎ | COVER-STIRRER; CM1019,PP,NATUAL |
| 26-2 | DE63-00324A | ☎ | COVER-CEILING; CM1019,MICA SHEET,T1.0,W23 |
| 27 | DE92-90516B | ☎ | ASSY BRACKET FILTER; CM1819,-,-,- |

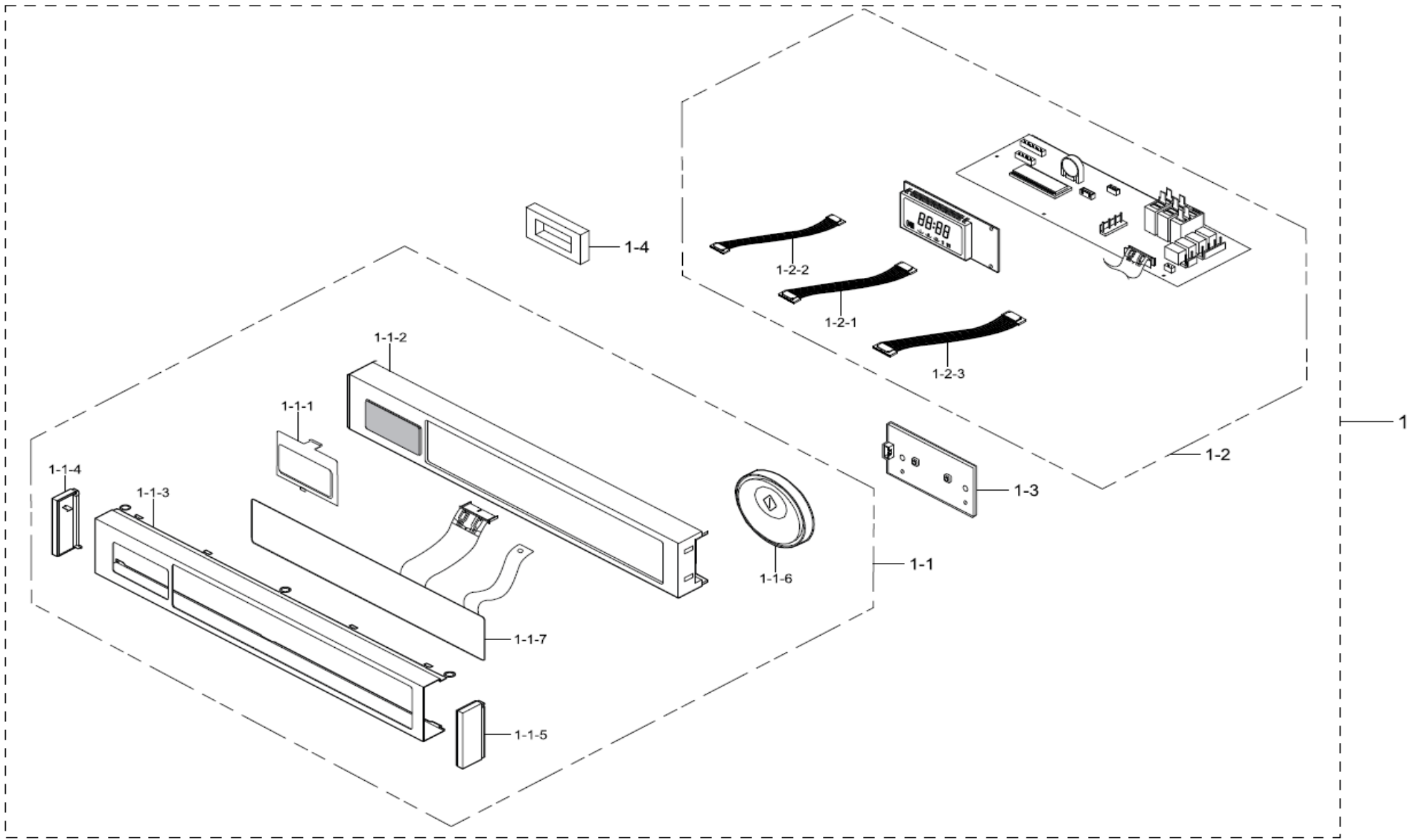
Exploded diagram and spare parts list - GK640 - Buffalo CMWO 1850watt Programmable

| Explode | Code | Stocked | Description |
|---------|-------------|---------|---|
| 28 | DE92-90519A | | ASSY DUCT-AIR; CM1819/29,-,-,CM1819/29 |
| 28-1 | DE47-20169A | | THERMOSTAT;125/250V,15/7.5A,100,60,NORMA |
| 28-2 | DE72-50091A | | DUCT-OVEN; CM-1819,STS430,T0.4,-,PURPLE |
| 28-3 | DE63-00008M | | CUSHION-SPONGE; PUR FOAM,PUT-FOAM,T2,W8,L |
| 29 | DE93-20097E | ✓ | ASSY BODY LATCH; CM1819/1829,EUROPE |
| 29-1 | 3405-001055 | | SWITCH-MICRO; 125/250VAC,16A,200gf,SPST-N |
| 29-2 | 3405-001034 | ✓ | SWITCH-MICRO; 125/250VAC,16A,200gf,SPST-N |
| 29-3 | DE61-00066A | | SPRING-Q; CM1819/1829,MSWR-SWRM,PIO.8 |
| 29-4 | DE66-40062A | ✓ | LATCH BODY; CM-1819,PBT,NATURAL |
| 29-5 | DE66-90107A | ✓ | LEVER-SWITCH(U); PBT,VB-5050G,NATURAL |
| 29-6 | DE66-90108A | ✓ | LEVER-SWITCH(L); PBT,VB-5050G,NATURAL |
| 29-7 | 3405-001032 | ✓ | SWITCH-MICRO; 125/250VAC,16A,200gf,SPDT,T |
| 30 | DE93-10106C | | ASSY BASE PLATE; CM1819,SECC,-,- |
| 30-1 | DE80-10113C | | BASE-PLATE; CM1819,EGI-SECC,T1.0 |
| 30-2 | DE61-50546A | | BRACKET-BASE; EGI-SECC,T1.0,W25,L34 |
| 31 | DE61-50538A | | BRACKET-PLATE; EGI-SECC,T1.0 |
| 32 | DE63-00008K | | CUSHION-SPONGE; PUR FOAM,PUT-FOAM,T2,W8,L |
| 33 | DE63-00009T | | CUSHION-SPONGE; PUR FOAM,T50,W8,L530,BLK |
| 34 | DE63-90062C | | CUSHION-HVT; NEOPRENE RUBBER,T18,W30,L50 |
| 36 | DE71-20261A | | CAVITY-UPPER; STS430,T0.5,W467,L521.2 |
| 37 | DE71-20260A | | CAVITY MAIN; STS430,T0.5,W394,L379 |
| 38 | DE71-20260A | | CAVITY MAIN; STS430,T0.5,W394,L379 |
| 39 | DE94-01333A | | ASSY CAVITY FRONT; COMMERCIAL,1,-,-,-,- |
| 40 | DE91-70061A | ✓ | ASSY H.V.FUSE; THV060T,5KV,800mA,SCREW,WH |
| 41 | DE61-50513B | | BRACKET-HINGE(U); EGI-SECC,T1.0 |
| 42 | DE61-50514B | | BRACKET-HINGE(L); EGI-SECC,T1.0,CM-1819 |
| 43 | DE92-90507A | | ASSY WAVE GUIDE; CM-1819,-,-,- |
| 44 | 6502-001056 | | CABLE CLAMP; DAWH-2NC,ID18.5,NYLON6/6,NTR |
| 45 | DE94-03068A | ✓ | ASSY POWER CORD; BSI,GB3F,U.K,250V/13A,H0 |
| 45-1 | DE39-10118A | | CBF-POWER CORD; AT,GB,SP-60,WIER3P,250V,1 |



Exploded diagram and spare parts list - GK640 - Buffalo CMWO 1850watt Programmable

| Explode | Code | Stocked | Description |
|---------|-------------|---------|---|
| 1 | DE94-01286D | ✓ | ASSY DOOR; CM1929,STS,-,1850W |
| 1-1 | DE60-60080A | ☎ | PIN-KEY; STS304,L21 |
| 1-2 | DE61-70144A | ☎ | SPRING-KEY;HSWR-SWRH,PI1.0,OD6.5,L32.8,2 |
| 1-3 | DE64-20123A | ☎ | HANDLE; CM-1819,ZN,-,-,-,CM-1819,- |
| 1-4 | DE64-40298A | ✓ | DOOR-C; -,PP,-,-,-,-,- |
| 1-5 | DE64-90145A | ☎ | DECORATION DOOR; CM-1819,ABS,-,GE BLACK,K |
| 1-6 | DE64-90146A | ☎ | DECORATION COVER DOOR;STAINLESS-STS430,C |
| 1-7 | DE67-20174N | ☎ | SCREEN-DOOR(B);CM1929,GLASS,3.2,198.5,36 |
| 1-8 | DE71-60433A | ☎ | COVER-HANDLE;STAINLESS-STS430,TO.5,CM-18 |
| 1-9 | DE92-50132B | ☎ | ASSY DOOR E; CM-1819,-,BLK,COATING |
| 1-10 | DE64-40296B | ✓ | DOOR-KEY; CMO COMMERCIAL,CR3C + ZINC DIEC |
| 1-11 | DE61-80138A | ☎ | HINGE; EGI-SECC,T3.0,W24.5,L29.5 |



Exploded diagram and spare parts list - GK640 - Buffalo CMWO 1850watt Programmable

| Explode | Code | Stocked | Description |
|---------|---------------|---------|---|
| 1 | DE94-02182A | | ASSY CONTROL BOX;CM1929,230V50HZ,BLACK,S |
| 1-1 | DE93-30529V | ✓ | ASSY CONTROL PANEL;CM1929,BLACK,STS,ABS, |
| 1-1-1 | DE67-40161B | | WINDOW-DISPLAY; CM1929,PMMA,SMOG |
| 1-1-2 | DE70-30125A | | PANEL-BASE;ABS,-,CM-1829,HB,HG-0760SR,GE |
| 1-1-3 | DE71-60426A | | COVER PANEL; STAINLESS-STS430,T0.5,-,- |
| 1-1-4 | DE71-60428B | | COVER-PANEL(L/L); CM1019,ABS,-,-,-,-,-, |
| 1-1-5 | DE71-60429B | | COVER-PANEL(L/R); CM1019,ABS,-,-,-,-,-, |
| 1-1-6 | DE66-20212D | | BUTTON-START; CM1529-1/XEU,ABS,0.9 CU.FT |
| 1-1-7 | DE34-00158C | ✓ | SWITCH MEMBRANE;CM1529-1/XEU,PET,230V 50 |
| 1-2 | RCS-SMS2CM-01 | ✓ | RCS-SMS2CM-01,PCB; RCS-SMS2CM-01,PCB |
| 1-2-1 | DE39-40692A | | WIRE HARNESS-B; 11PIN,-,-,CM1819/29,-,-,- |
| 1-2-2 | DE39-40694A | | WIRE HARNESS-C; 9PIN,-,-,-,-,-,-,-,-,-, |
| 1-2-3 | DE39-40113B | | WIRE HARNESS-F; 50/60HZ,-,-,-,-,-,-,-,-,- |
| 1-3 | DE61-00808A | | GUIDE-START-BUTTON;CM1019,PP,COMMERCIAL |
| 1-4 | DE63-00634A | | CUSHION-PCB; HEAVY-COMMERCIAL MWO,PUR FOA |