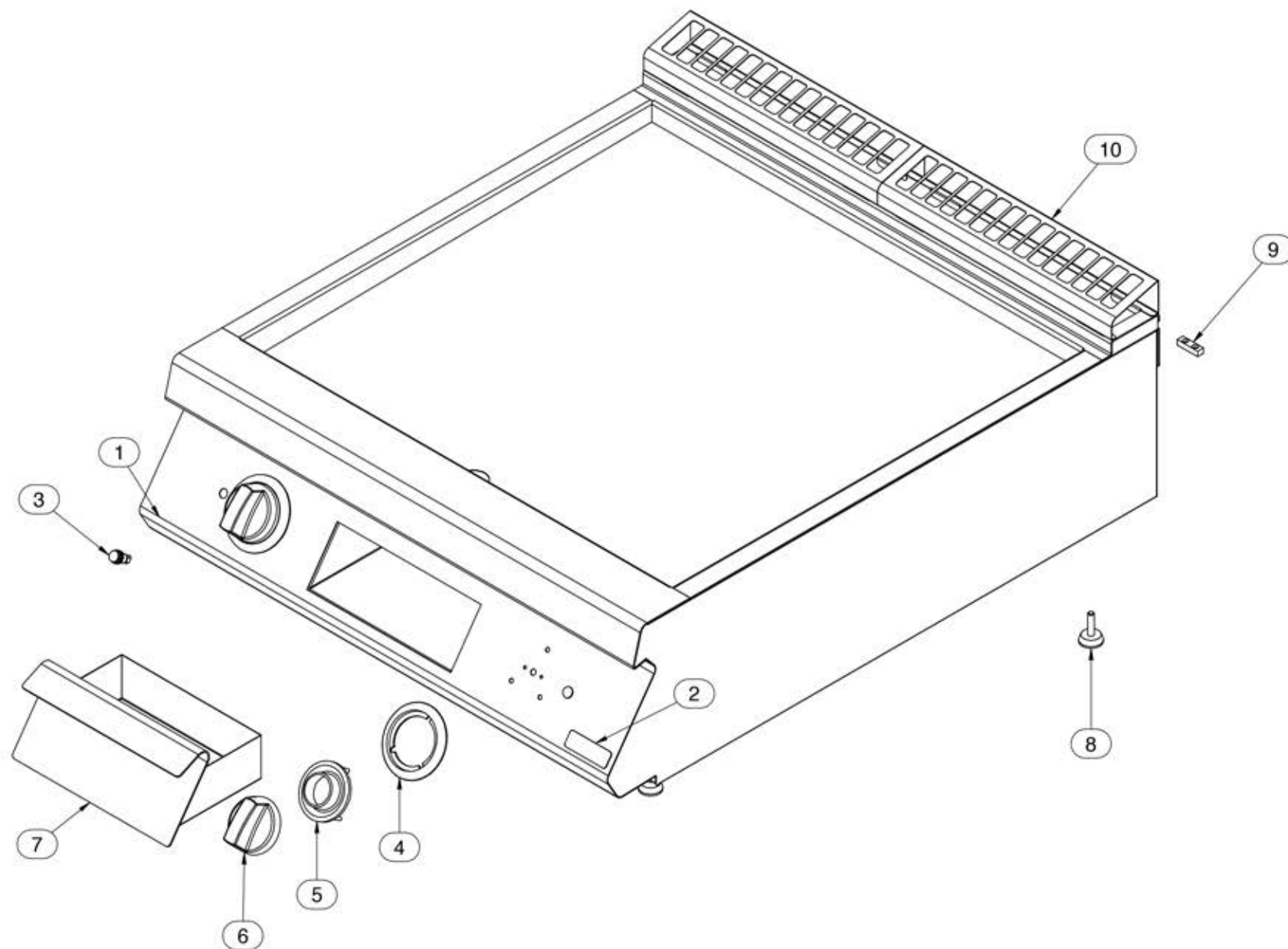


Mod./Type: **\_70/... FT...ES...**

**\_90/... FT...ES...**

cod./num. 2532151.00

data/date: 06/02/2015





Mod./Type:   70/... FT...ES... - 90/... FT...ES...

cod./num. 2531826.00

**SIMPLE**

data/date: 27/08/2014

