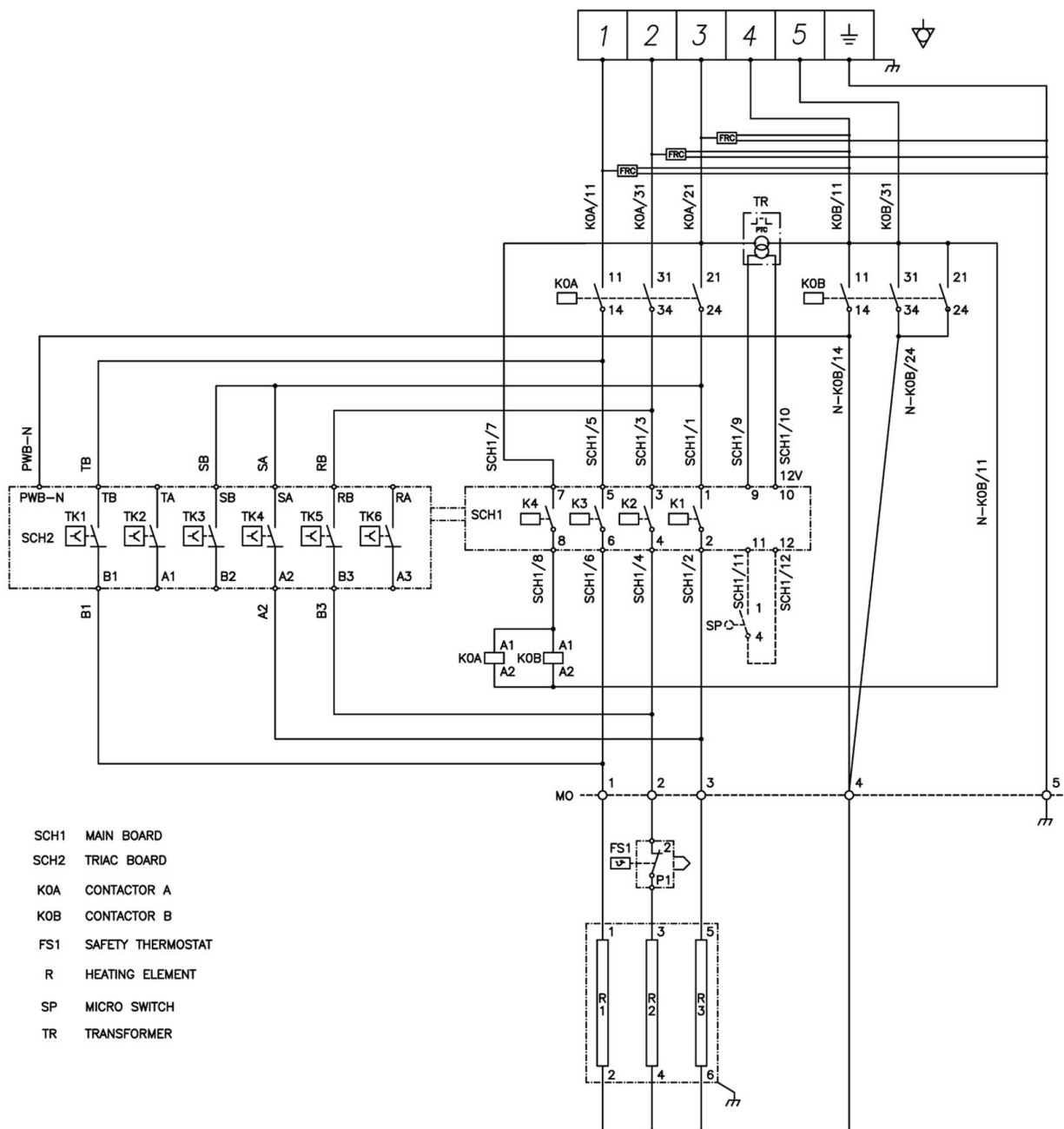
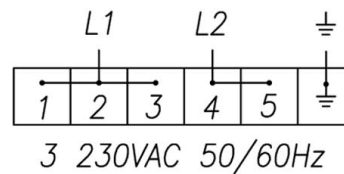
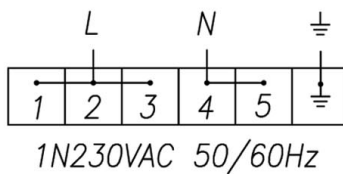
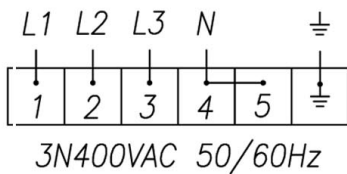


| Codice Code Code Code Código | Potenza kW Power kW Leistung kW Puissance kW Potencia kW | Alimentazione Power supply Stromversorgung Tension Alimentación | Sezione del cavo Cable section Kabelquerschnitt Section du câble Sección del cable |
|--|--|---|--|
| 101547 | 4.5 | 1N 230V AC 50 Hz 3N 400V AC 50 Hz | 3x2.5 5x1.5 |



- SCH1 MAIN BOARD
- SCH2 TRIAC BOARD
- KOA CONTACTOR A
- KOB CONTACTOR B
- FS1 SAFETY THERMOSTAT
- R HEATING ELEMENT
- SP MICRO SWITCH
- TR TRANSFORMER