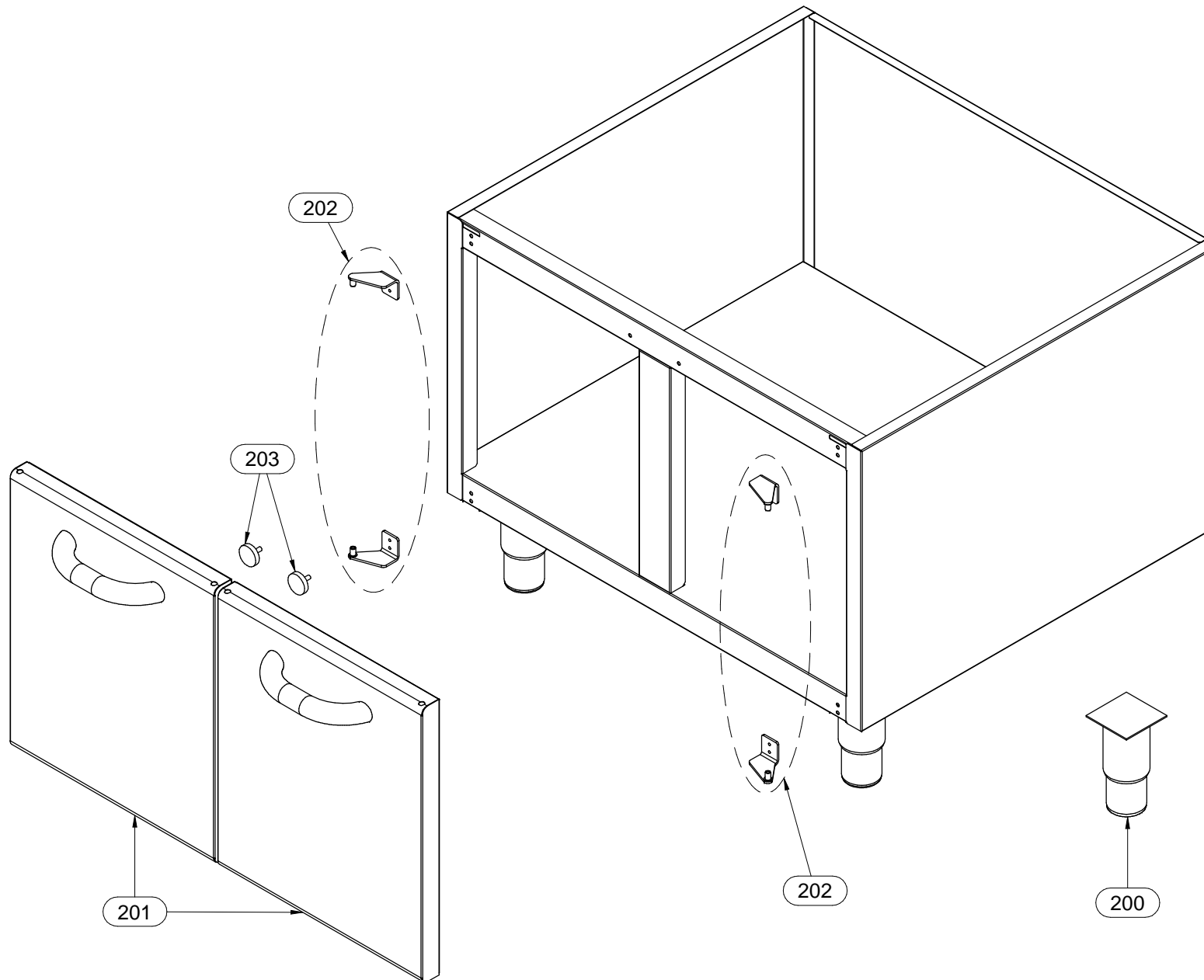


Mod./Type: 70 - 90 .../40 ... - .../80 ... - .../120 ...
90/160 ... VANO / CABINET

cod./num. 2531775.00

data/date: 05/11/2014

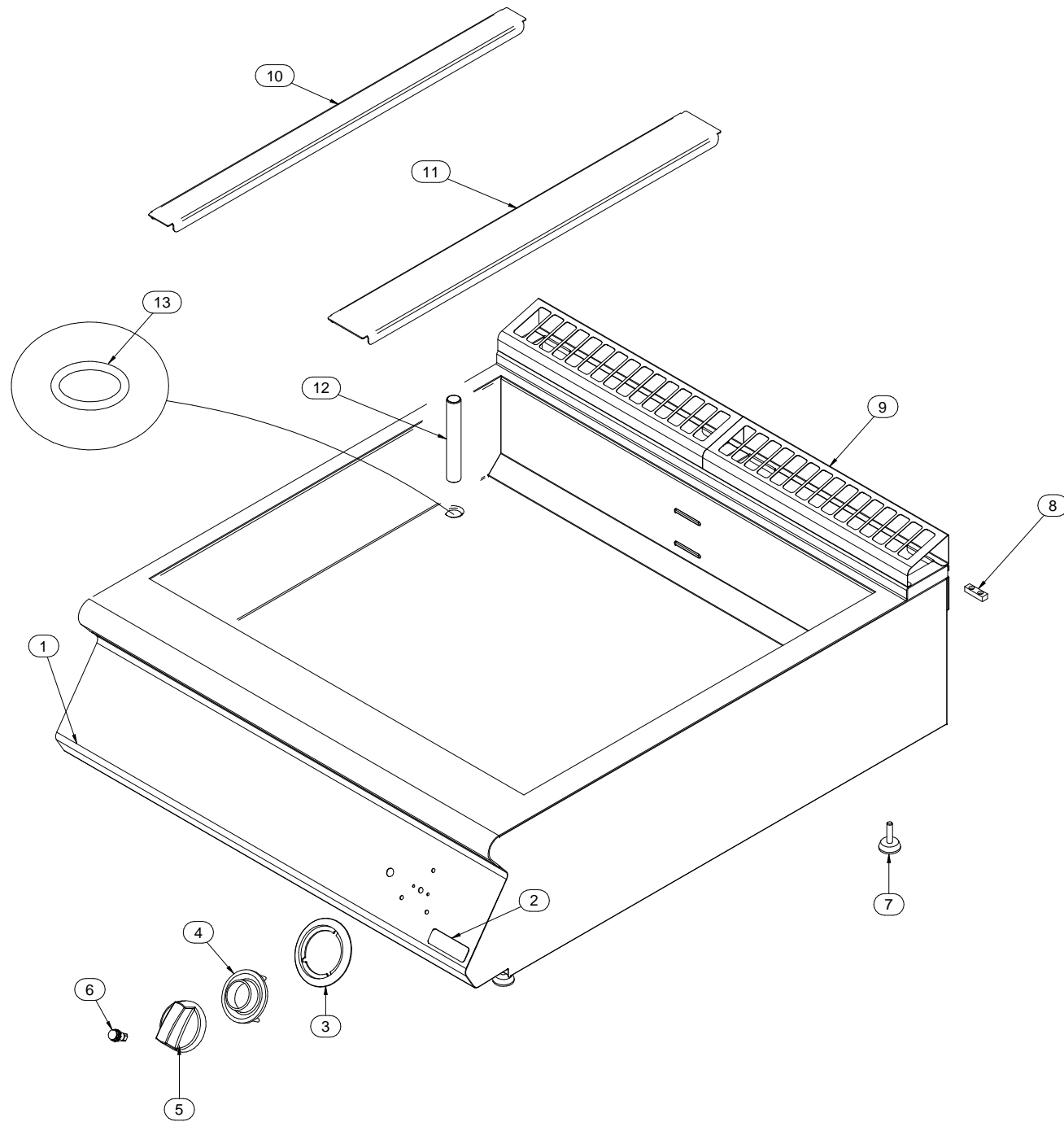


Mod./Type: **_70/... BME...**

_90/... BME...

cod./num. 2531880.00

data/date: 12/11/2014



Mod./Type: **_70/... BME...**

_90/... BME...

cod./num. 2531841.00

data/date: 03/09/2014

